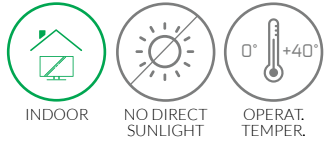




TACTIVE

TKP

SelfKiosk



Tactive SelfKiosk TKP is the perfect combination of technology, compactness and simplicity. It is particularly suitable for interactive applications in public settings such as government offices, healthcare, retail, hospitality, corporate or educational campuses.

The compact size, and minimalist design and variety of customization options enables its use in any environment and is also user friendly for people with reduced mobility. The structure is made of steel with powder paint coating of choice. On both sides, a security locked compartment is available to ensure direct access to the peripherals, and to change paper rolls if needed.



- Major Features**
- IDEAL FOR RESERVATION SERVICES
 - FLEXIBILITY AND RELIABILITY
 - BARCODE WITH EXCEPTIONAL READING CAPABILITIES
 - ROBUST YET COMPACT
 - EXCEPTIONAL VERSATILITY
 - PCAP TOUCHSCREEN WITH FRONTAL GLASS PROTECTION
 - SUITABLE ANYWHERE
 - EASY ACCESS FOR MAINTENANCE

STRUCTURE AND MATERIALS

- Solid steel structure
- 3 compartments for easy maintenance
- Scratch-proof glass
- Anti-theft locks with invisible hinges and screws
- Frontal panel for 80 mm thermal printer.
- Barcode and QR code reader
- Ergonomic and functional design

DISPLAY SIZES



OPTIONS

● Available ● Not Available ● Included ● On project

CUSTOM COLOR	AUDIO 2X5W	TOUCH SCREEN	UMTS-4G	WI-FI	BLUETOOTH	WEBCAM	MEDIA PLAYER	CARD READER	BARCODE READER
YOUR LOGO	PROXIMITY IR SENSOR	SHOCK SENSOR	HVAC	SOFTWARE	ADVANCED DIAGNOSTIC	BASE + WHEELS	CASHLESS PAYMENT	A4 THERMAL PRINTER	80mm THERMAL PRINTER



TECHNICAL SPECIFICATIONS

General

Product code	TKPP19 (Portrait)	TKPP19WALL (Portrait)
Screen size (inch)	19"	19"
Screen active area (cm)	30,1 X 37,7 (5:4)	30,1 X 37,7 (5:4)
Display brightness (nit)	250	250
Backlight technology	IPS LED	IPS LED
Screen resolution (pixel)	Full HD - 1280x1024	Full HD - 1280x1024
Contrast ratio	1000:1 (typ)	1000:1 (typ)
Viewing angle (H/V)	178° / 178°	178° / 178°
Backlight Life cycle	50.000 hours	50.000 hours
System operation	12/7/365	12/7/365
Screen orientation	Portrait	Portrait
Screen side	Single	Single
Interactive touch	Projected capacitive 10t	Projected capacitive 10t

Environment

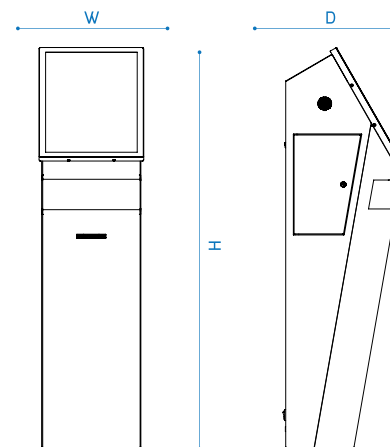
Environment rating	Indoor IP20 (Nema 1)	Indoor IP20 (Nema 1)
Operating temperature	0°C / +40°C	0°C / +40°C
Environment humidity	20% - 80%	20% - 80%

Enclosure

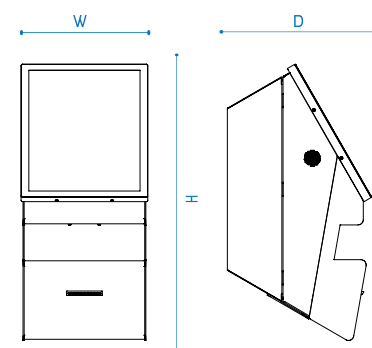
Antivandal protection	n.a.	n.a.
Air cooling system	n.a.	n.a.
Standard color	As shown below	As shown below
Enclosure material	Steel	Steel
Glass	Scratch-resistant	Scratch-resistant
Glass reflection	n.a.	n.a.

Dimensions Power

Vac supply	230V AC +/- 10	230V AC +/- 10
Power consumption (Typ)	60W	60W
Height (cm)	132	75
Width (cm)	50	34,5
Depth (cm)	50	40
Weight (Kg)	47	30
Base dimensions (cm)	50(W)x1(H)x50(D)	-




TKPP19



TKPP19WALL



STANDARD COLORS AND FINISHING

Enclosure Colors ● Black RAL 9005
 On request

Glass Colors ● Black RAL 9005

TESTS AND CERTIFICATIONS

LVD 2014/35/UE
 EMC 2014/30/UE
 ROHS 2011/65/UE
 IP Code IEC 60529
 IK Rating IEC 62262

Safety of Information Technology Equipment:
 IEC 60950-1
 Safety Requirements of Audio, Video and Similar
 Electronic Apparatus: IEC 60065



NOTE

Two side compartments and one Back-Door.